



WAUPACA
ELEVATOR COMPANY, INC.



RESIDENTIAL DUMBWAITERS

WAUPACA ELEVATOR

Waupaca Elevator specializes in the manufacture of winding-drum dumbwaiters designed for both residential and commercial use.

Incorporated in 1957, Waupaca Elevator began manufacturing screw-drive residential dumbwaiters, later incorporating winding-drum technology. Use of this highly efficient and cost effective drive design has facilitated the production of a uniquely affordable dumbwaiter line.

After two expansions to the factory in Waupaca, the company moved 36 miles east to a larger location in Appleton, Wisconsin. The new location offers three times the floor space, plus room for future growth.

Today, Waupaca Elevator continues to pursue cutting edge technology to enhance the convenience and affordability of its dumbwaiter line. Whether building new or remodeling, "Specify the Specialists" – **Waupaca Elevator**.

RESIDENTIAL

Today's homeowners want to maximize the investment in their homes by demanding products that enhance convenience and elegance. With the increasing popularity of multi-level homes, the dumbwaiter of yesteryear has become in demand again today. Vastly improved over those that were only associated in bygone years with estates, today's dumbwaiters offer affordable, efficient, quiet, and reliable convenience. A long list of available options, capacities, and custom car sizes, facilitate a design that is tailor made to fit your needs. Waupaca dumbwaiters represent a stunning selling point for new homes and a wonderful touch when remodeling.

Cable-Waiter™

Residential/Light Duty
Commercial dumbwaiter

The Cable-Waiter™ offers convenience and flexibility, with economy. Available in wood, steel and stainless steel cars, this unit boasts up to a 100 lb. capacity. A roll top gate and a shelf are standard on all wood cars. Metal cars offer steel shelves, and a choice of bi-parting, or slide-up gates. Safety is assured with such standard equipment as a slack cable monitoring device, car safeties, top final limits and UL/cUL certified controllers. Designed to carry everything from delicate glassware to laundry, groceries, etc., this agile model is also comfortable in light-duty commercial applications, such as offices or medical clinics. With the availability of custom car sizes (metal cars only) Waupaca Elevator can build a Dumbwaiter to meet your requirements for design, as well as function.



A roll top gate and a shelf are standard on all wood cars.

Features

Standard

- Car Safety
- Slack Cable Device
- Top Final Limit Switch
- UL Certified Controller
- Call-Send Stations
- 50 lb or 100 lb Capacity
- Welded Steel or Wood Car
- Car Gates

Options

- Hoistway Doors
- Car Shelves
- Car Light
- "Car Here" Indicator
- "In Use" Indicator
- Stainless Steel
- Access Door

Applications

- Groceries/Packages
- Laundry
- Household supplies
- Trash/Garbage
- Office Files/Records

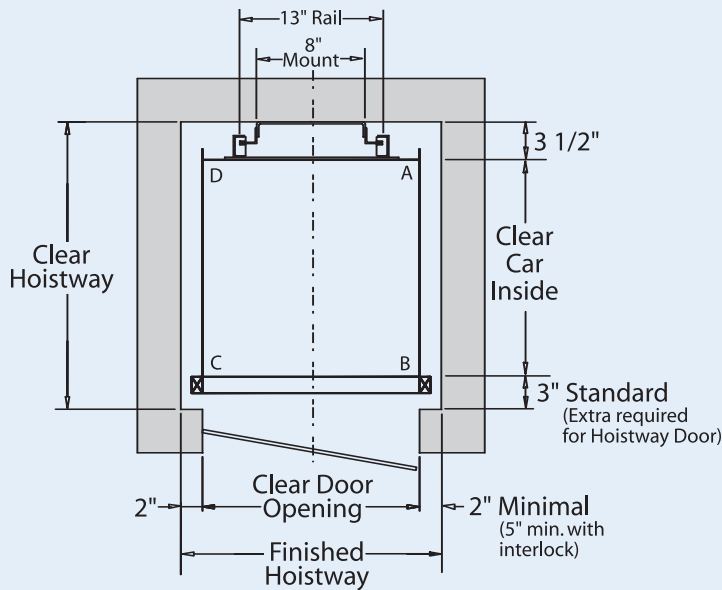


Add safety, convenience and resale value to your new or existing home.



HOISTWAY DOOR INTERLOCKS prevent operation of dumbwaiter with door open and prevent opening of any door when car is not at designated landing.





CABLE-WAITER SPECIFICATIONS

- CAPACITY – 50lb or 100lb.
- TRAVEL – up to 50 ft.
- STOPS – up to 6 stops.
- SPEED – 30 feet per minute.
- OVERHEAD – CW-50: 74" CW-100: 83" Overhead machine: 90"
- LOADING HEIGHT – 30" min. when machine is "rail mounted" below car (overhead or remote machine location and/or pit, required for loading heights below 30").
- GUIDE RAILS – heavy gauge steel angles.
- ELECTRIC SUPPLY – 115 volts, single phase
- POWERHEAD – single speed winding drum with 3/4 HP motor.
- BRAKE – electromagnetic disc brake, electrically released and spring applied.
- CONTROLS – momentary contact call/send push buttons at each landing.
- SAFETIES – single instantaneous broken cable, applied by a retained compression spring.
- CABLE – 1/8" diameter steel cable.
- HOISTWAY DOOR INTERLOCKS – required at each landing.

Waupaca Elevator Dumbwaiters

At-a-glance comparisons

MODEL	CW-50	CW-100	PW-200	PW-300	PW-500
Capacity	50 lbs.	100 lbs.	200 lbs.	300 lbs.	500 lbs.
Standard car size					
Width	16 in.	20 in.	26 in.	30 in.	36 in.
Depth	16 in.	20 in.	26 in.	30 in.	36 in.
Height	24 in.	30 in.	36 in.	40 in.	48 in.
Travel – Maximum	50 ft.	50 ft.	50 ft.	50 ft.	50 ft.
Standard loading height	30 in.	30 in.	36 in.	36 in.	36 in.
Speed	30 fpm.	30 fpm.	50 fpm.	50 fpm.	50 fpm.
Voltage (standard)	115 vac.	115 vac.	230 vac.	230 vac.	230 vac.
Motor Horsepower	3/4 hp.	3/4 hp.	1 hp.	2 hp.	2 hp.
Landing stations	Included	Included	Included	Included	Included
Interlocks (required)	Not Incl.	Not Incl.	Not Incl.	Not Incl.	Not Incl.
Approx. shipping wt.	420 lbs.	520 lbs.	750 lbs.	800 lbs.	900 lbs.

Contact Waupaca Elevator or your local dealer for more information about Waupaca's complete line of Residential & Commercial dumbwaiters.



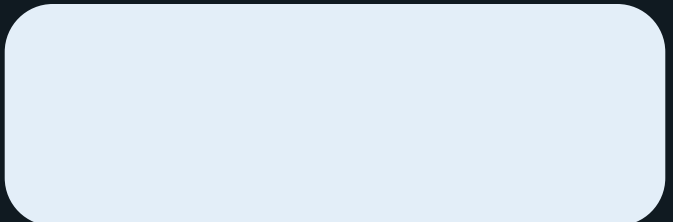
**WAUPACA
ELEVATOR COMPANY, INC.**

1726 North Ballard Appleton, Wisconsin 54911
1-800-238-8739

website: www.waupacaelevator.com

Waupaca Elevator Co. Inc., 1999

Your Authorized Waupaca Elevator Dealer:



All information within is subject to change without advance notice